



BOSA 10Gbps

Features:

- High-stability 1xx0nm DFB laser
- InGaAs PIN Photodiode
- Single +3.3V power Supply

Applications:

- Optical communication systems

Specifications:

Absolute Maximum Ratings

Transmitter Optical& Electrical Characteristics (T=25°C)

Parameter	Symbol	Test Condition	Min	Typ	Max	Unit
Threshold Current	I _{th}	25	--	--	12	mA
		85	--	--	40	mA
Forward Voltage	V _f	I _{op} =I _{th} +20mA	--	--	1.7	V
Monitor Current(MPD)	I _m	I _{op} =I _{th} +20mA	50	--	1000	uA
Dark Current(MPD)	I _d	V _r =5V	--	--	100	nA
Optical Output Power	P _o	I _{op} =I _{th} +20mA,25	0.8	--	1.6	mW
		I _{op} =I _{th} +20mA,85	0.5	--	--	mW
Slope efficiency	SE	I _{op} =I _{th} +20mA,25	0.04	--	0.08	mW/mA
		I _{op} =I _{th} +20mA,85	0.025	--	--	mW/mA
Central Wavelength		I _{op} =I _{th} +20mA				

XIAMEN SAN-U OPTRONICS CO., LTD.

SU-01-19-A-07-B70J

06

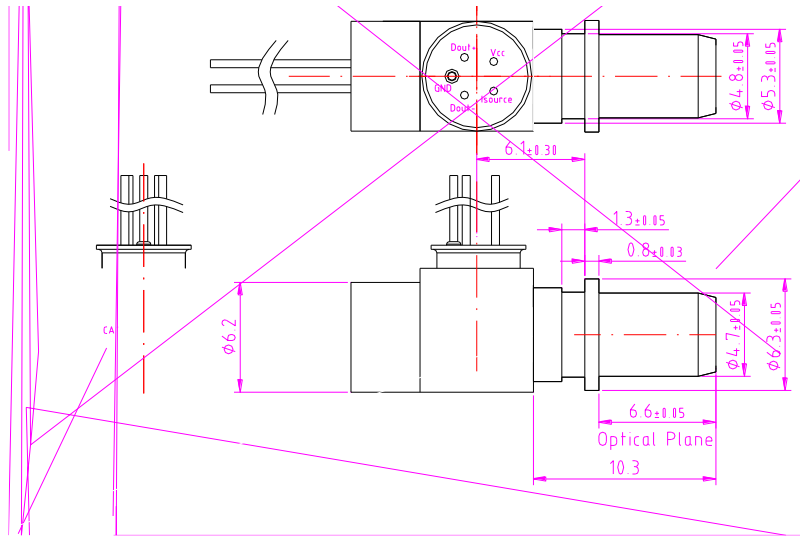
2019.09.12

2

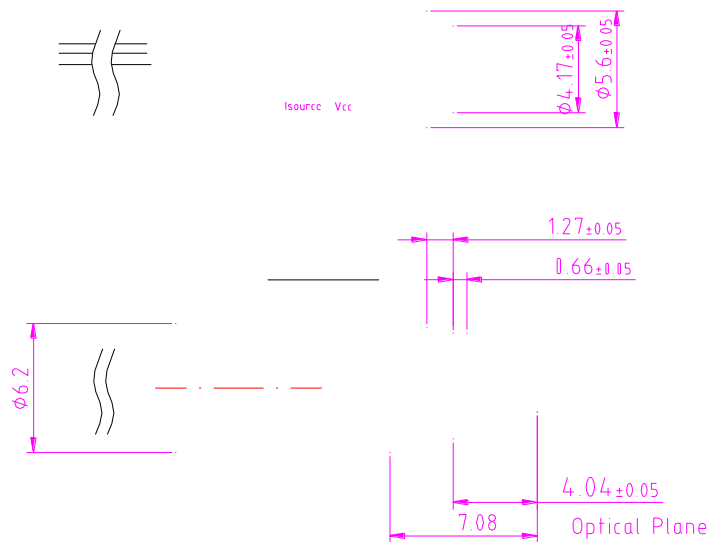
4



TYPE - C



TYPE - D



Order Information:

BOSA 10Gbps

Receptacle	TX Central Wavelength	RX Central Wavelength	Outline Dimension
LC	1270 DFB	1270nm	A:TYPE A
SC	1330 DFB	1330nm	B:TYPE B
			C:TYPE C
			D:TYPE D



Statement:

SAN-U owns the authority for final explanation of all information contained in this document, which is subject to change without notice. All the information was obtained in particular environments; and SAN-
operating environments. All information contained is only for the users' reference and shall not be considered as warranted characteristics. SAN-U will not be liable for damages arising directly or indirectly which from any use of the information contained in this document.

Contact Information:

Address: N501-505 Weiye Bldg., Xiamen Pioneering Park For Overseas Chinese Scholars, Xiamen, Fujian, China

Tel: +86-592-3898601, 3898608, 5318000

Fax: +86-592-5703588

Email: sales@san-u.com

<http://www.san-u.com>
