



# ROSA-LC 10Gbps 850nm

## Features:

Data rate 10Gb/s  
 Wavelength 850nm  
 Operating temperature range -40 to 85°C  
 High optical return loss (ORL)  
 Receiver sensitivity (RSSI)  
 Durable  
 LC compatible

## Applications:

High speed Data Center  
 10Gb Ethernet

## Specifications:

### Absolute Maximum Ratings

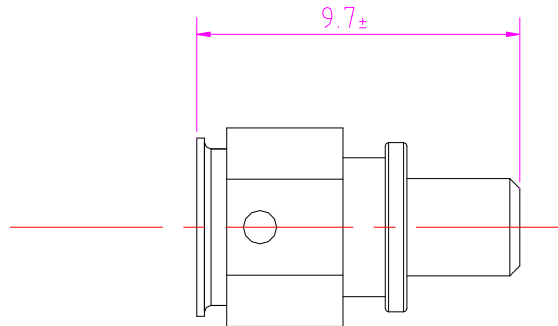
Parameter	Symbol	Min	Max	Unit
Insertion Loss	P	--	5	dB
Operating Temperature	T	-40	85	
Storage Temperature	T	-40	100	
Lead Solder Temperature	--	--	260	
Lead Solder Temperature	--	--	10	

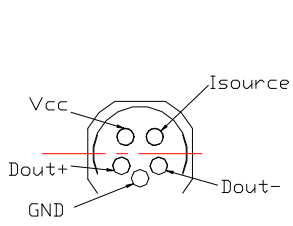
### Specifications (T=25°C, unless otherwise noted)

Parameter	Symbol	Test Conditions	Min.	Typ.	Max.	Unit
Supply Voltage	Vcc	--	3.0	3.3	3.6	V
Supply Current	Icc	Vcc=3.3V	--	--	40	A
Optical Power		Vcc=3.3V	830	850	870	
RSSI Offset	Id	Vcc=3.3V	--	--	100	A
Optical Loss	OL	Vcc=3.3V	3	--	--	dB
Sensitivity	S	10.3125Gb/s, PRBS31, 850nm, ER=4.5dB, BER=10E-12	--	--	-13	dB

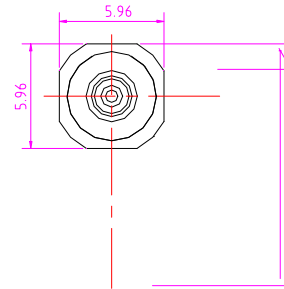
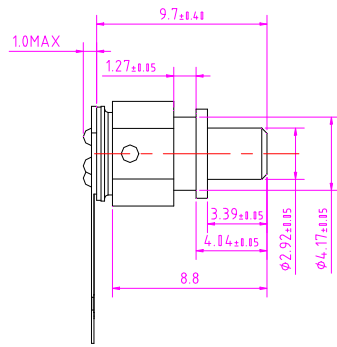


### Mechanical Dimension and Pin Assignment:





PAD1      PAD6



	A	B
1	PAD ASSIGNMENT	
2	PAD1	Vcc
3	PAD2	GND
4	PAD3	DOUT+
5	PAD4	DOUT-
6	PAD5	GND
7	PAD6	Isource